

4

3

2

1

D

D

C

C

B

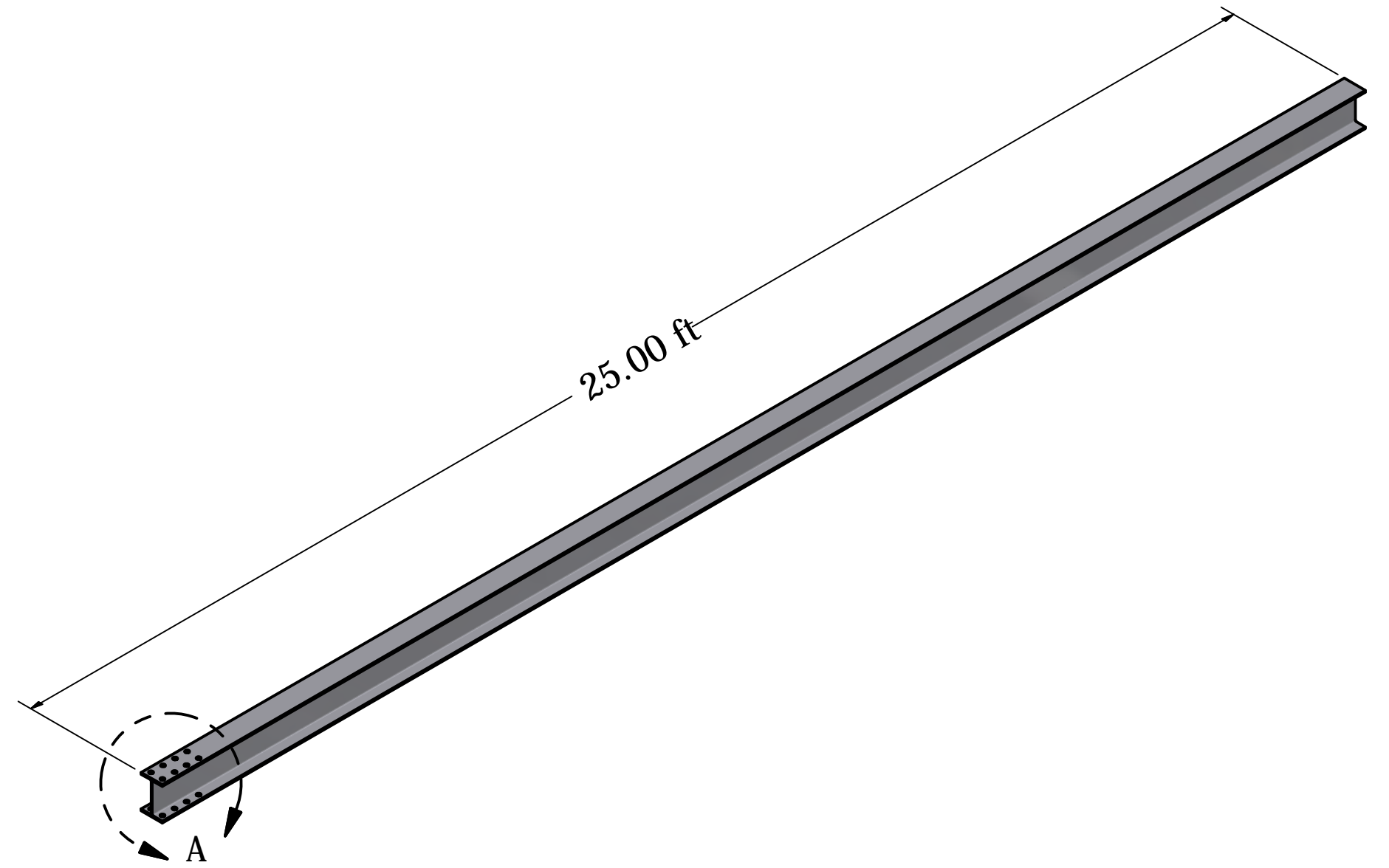
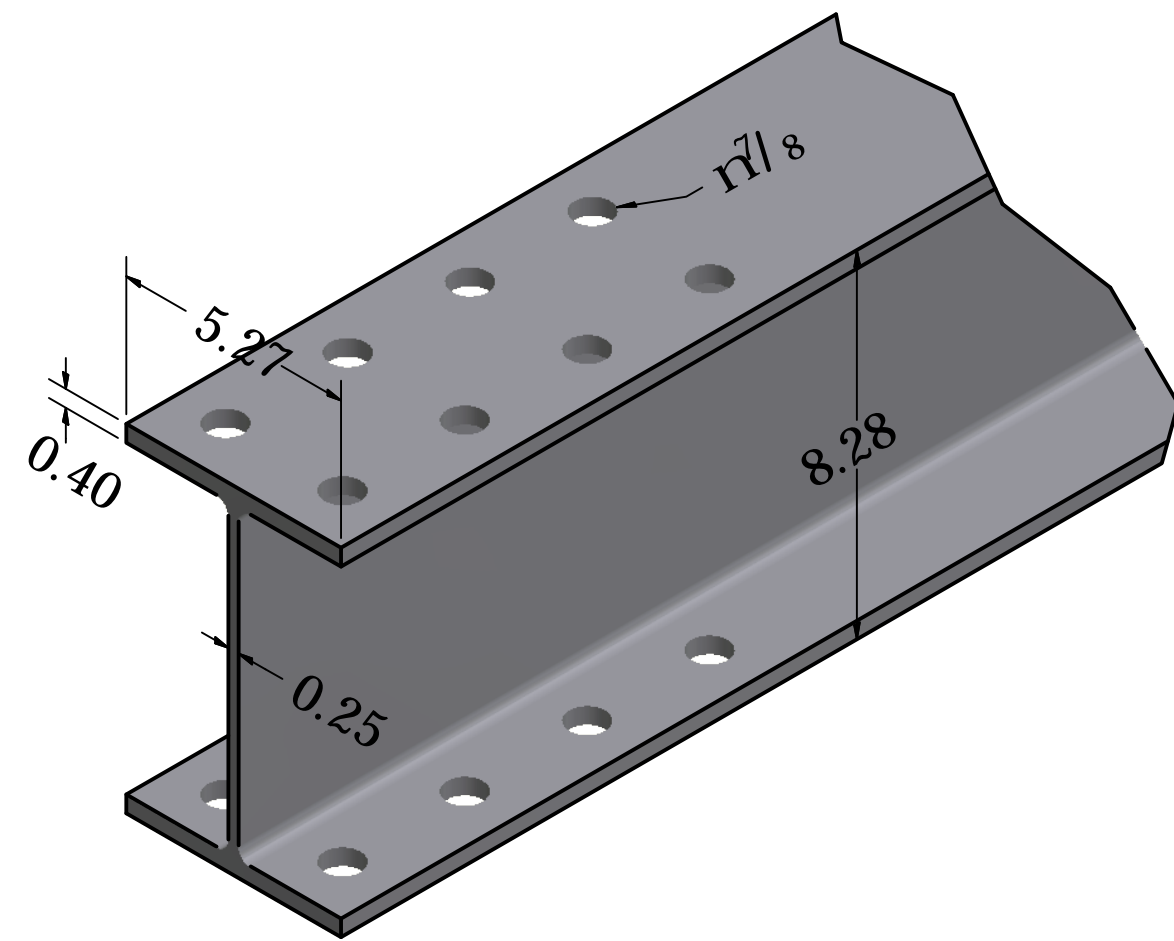
B

B

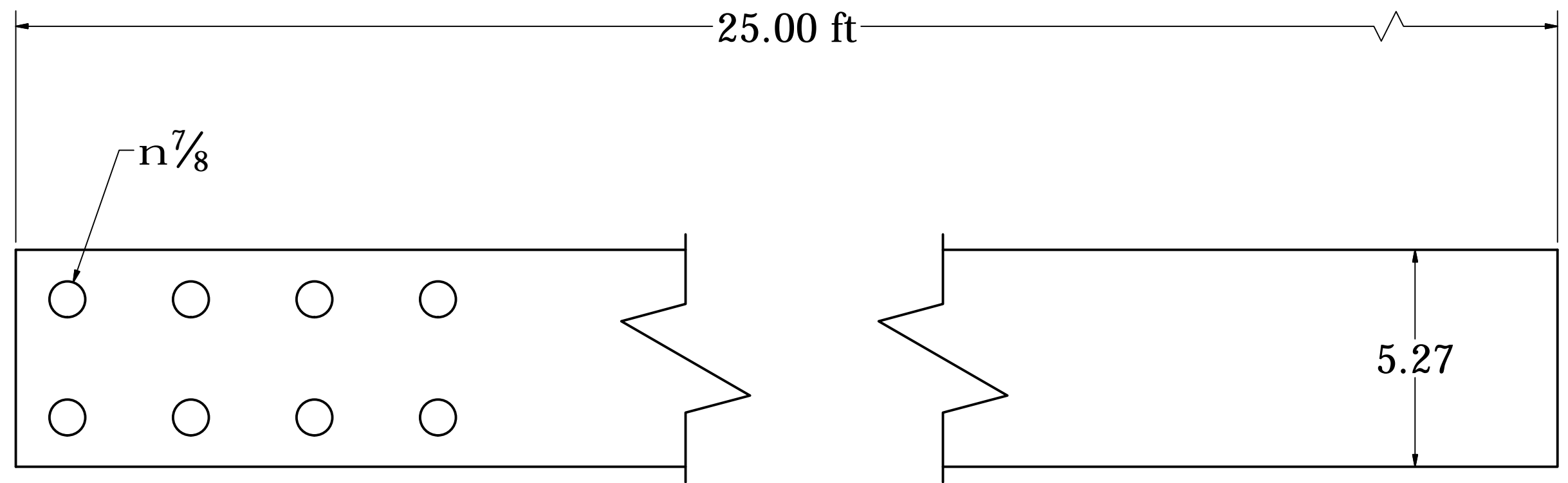
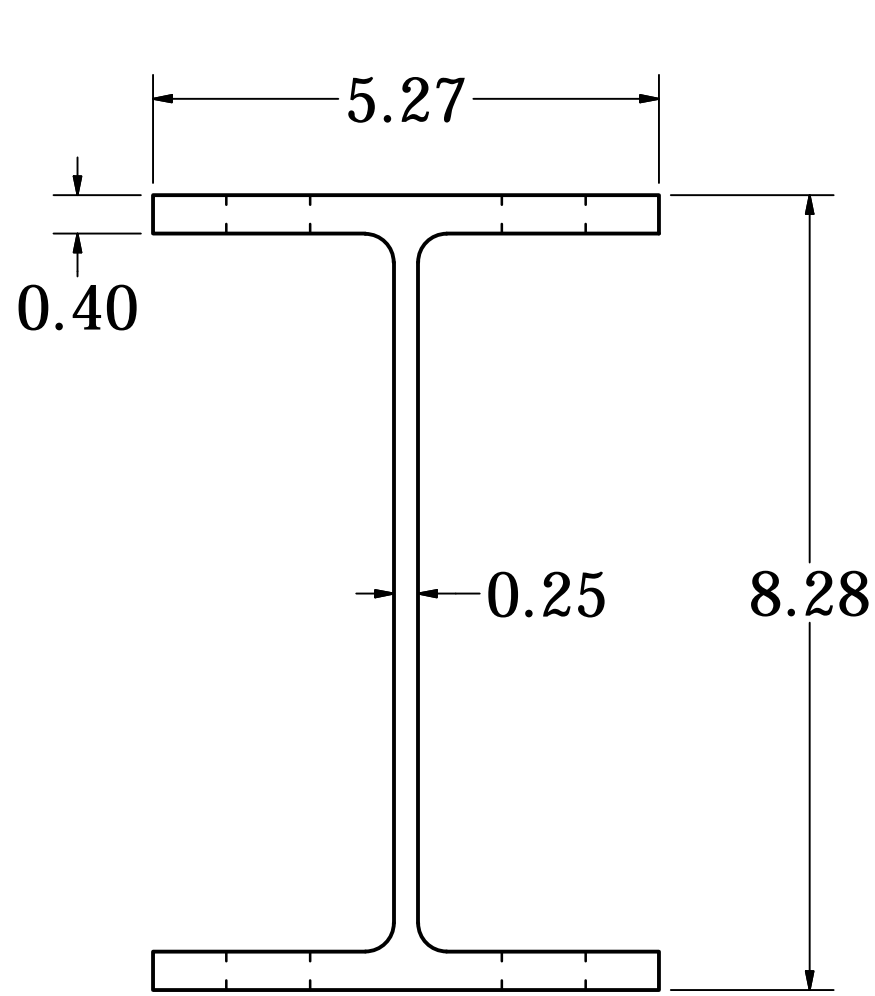
B

A

A



DETAIL A  
SCALE 0.3 : 1



DRAWN Hussein	3/12/2011			
CHECKED		TITLE		
QA				
MFG				
APPROVED				
		SIZE C	DWG NO Assembly1	REV
		SCALE	SHEET 1 OF 1	

4

3

4

2

1